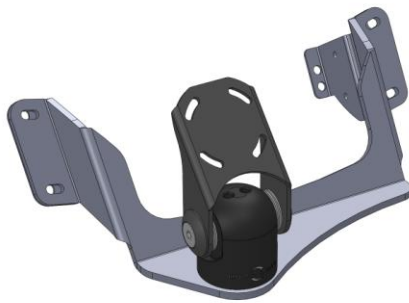


Ford Ranger 2012 In dash mounting instruction

Ford Ranger 2012: In Dash mounting bracket tilt and turn assembly



Remove centre console cover. Remove cover by pulling from the bottom out. No screws attached.

