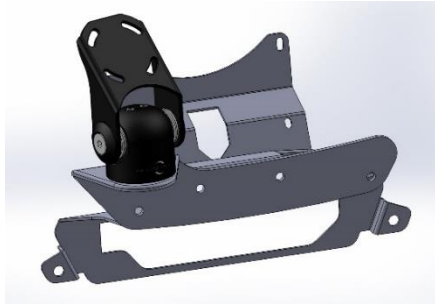


## Installation Instructions

### Holden Commodore ZB (2018+)



Step

Instructions

1

Carefully remove plastic trimming.



2

Remove 2x screws.

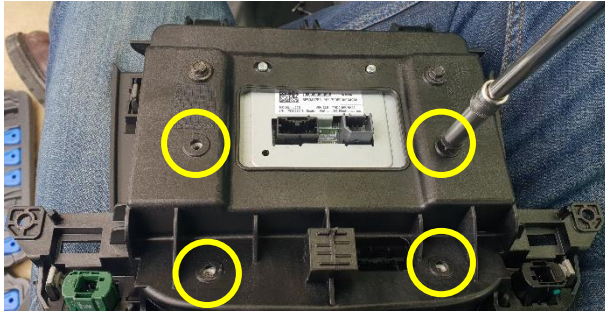


3

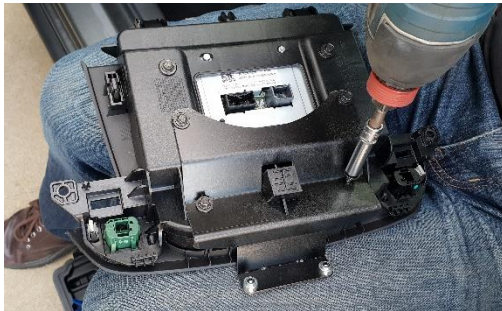
Carefully tilt centre unit forward and unplug wires.



- 4 Remove 4x screws from back of unit.



- 5 Install metal plate using the 4x existing screws.



- 6 Reinstall centre unit, including all wires.



- 7 Reinstall 2x screws.



**8** Reinstall all plastic trimming.



**9** To install second bracket, first loosen lower panel slight. Do not remove yet.



**10** Carefully loosen gearbox cover.



**11** Ensure Hand Break is on, gear change to Neutral, to allow gearbox cover to lift.



- 12** Pop the left side panel away from the clip so lower panel can be removed.  
Be careful not to break clip.



- 13** Remove 2x screws, lift out and unplug control unit.



- 14** Fit bracket into position.



- 15** Reinstall control unit, including wire, using 2x existing screws.



**16**

Install dash bracket with 4x M5 screws provided.



Enjoy your new In Dash Mount!



If you have any issues or questions, please contact us.  
**Industrial Evolution.**