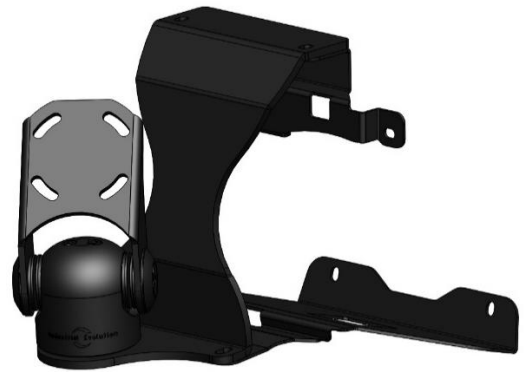


## Installation Instructions Kia Stinger (2018+)



Step

Instructions

1

Carefully loosen rubber trim and lift out plastic cover.



2

Remove screw.



3 Carefully lever open middle trim at 3 points, as shown.



4 Carefully remove bottom panel.



5 Remove 4 x screws.



6 Carefully lift out and tilt forward top panel.



7 Unplug 1 x wire.



8 Remove 2x upper screws.  
Install upper bracket using these 2x existing screws.



9 Remove 2x lower screws.  
Install low bracket using these 2x existing screws.



10

Reconnect 1 x Plug.



11

To reinstall the top panel, first gently press panel first and second in order as indicated below.



12

Centre panel tightly fitted with no gaps, If needed, can trim plastic rib on the inside lower.



13

Reinstall bottom trim.



14

Install dash bracket with 4x M5 screws provided.



Enjoy your new In Dash Mount!



If you have any issues or questions, please contact us.  
**Industrial Evolution.**