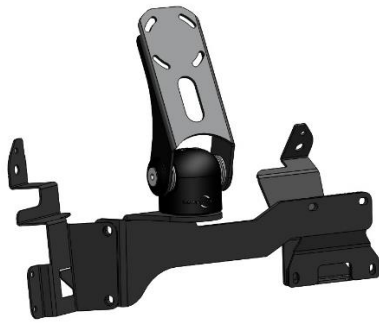


## Installation Instructions Toyota HiAce (2019+)



Step

Instructions

- 1** Start engine, change gear N, ensuring handbrake is engaged. Lever and remove cover, as pictured.



- 2** Remove control unit and lower covers, as pictured.



3

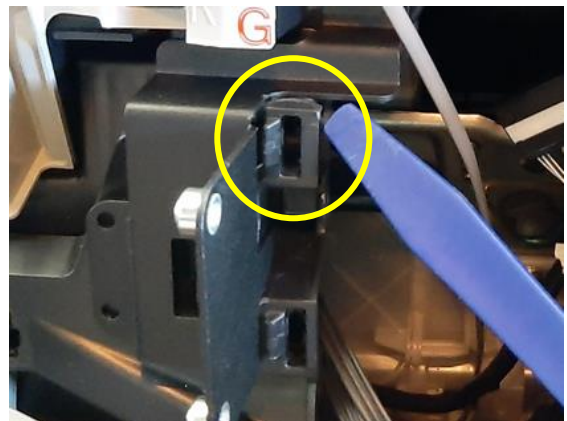
Remove 2x screws, as pictured.



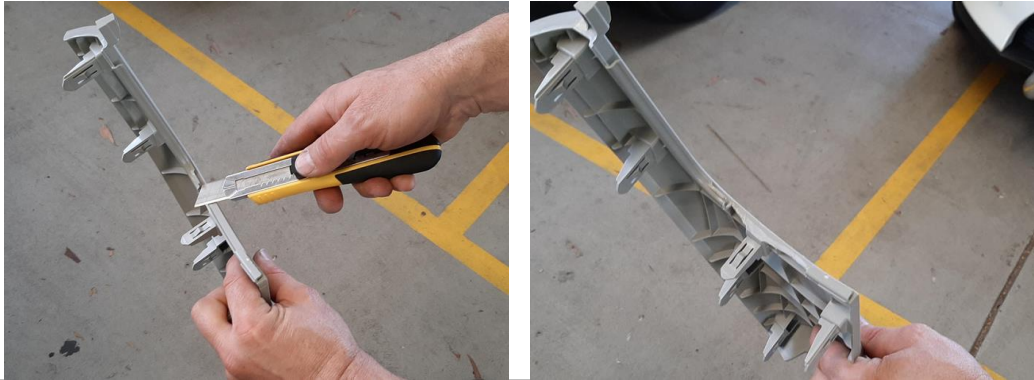
4

Install left bracket using existing screw removed in step 4, and 2x silver screws provided.

Note: L bracket should snap into place behind the surrounding plastic parts.



- 5 Scrap inner plastic lip of lower cover, as shown, to accommodate left bracket.



- 6 Replace plastic panel as pictured.



- 7 Install lower part of right bracket using 1x screw removed in Step 4.



- 8 Replace lower control cover as pictured. Note: Bend two tabs hard outwards left side.



- 9 Replace upper screen trim. Install bracket, 2x silver screws provided. Replace cover as pictured.



- 10 Attach upper part of right bracket to lower part, Install front bracket using 4x black screws provided.



If you have any issues or questions, please contact us. Brett 043 0033 04