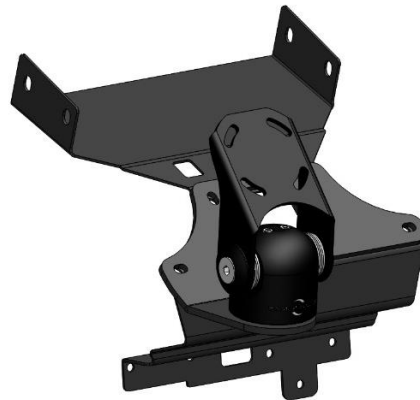


Installation Instructions

Toyota RAV4 (2019+)



Step

Instructions

1

Lever and remove plastic cover behind the digital display.



2

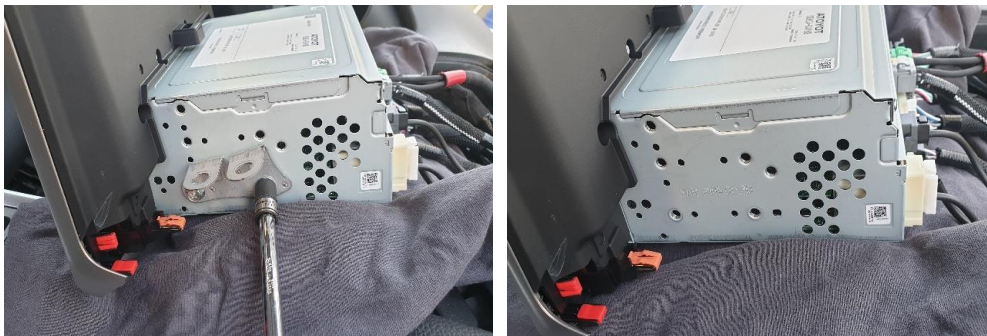
Remove 4x screws.



- 3 Loosen the digital display and place a cloth underneath to protect the dash.



- 4 Remove 2x screws on side of digital display. Then, repeat for the other side.



- 5 Fit supplied part underneath display and attach with the 4x screws removed in Step 4.



- 6 Place digital display back in position. Then replace 4x screws and plastic covering.



- 7 Loosen the AC module from the dash.



- 8 Position lower bracket as shown, then fasten to dash using 5x provided screws.



- 9 Using a sharp blade, shave 1mm of plastic off the top edge of the AC module as shown.



- 10 Replace the AC control back into its original location.



11

Install front bracket using 4x countersunk screws provided.



If you have any questions or issues with installation, please contact us.
Industrial Evolution