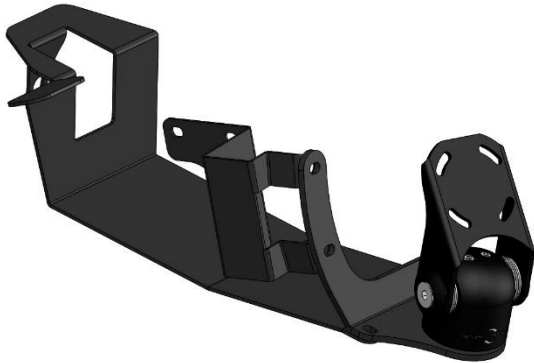


## Installation Instructions

Toyota Yaris 2014+



STEP

INSTRUCTION

1

Lever and remove plastic surrounds from dashboard.



2

Lever and remove plastic surrounds from digital display.



3

Remove plastic surrounds from A/C controls.



4

Remove screw.



5

Lever and lift plastic from hazard light control.



7

Remove screw.



8

Unplug hazard light control.



9

Lift digital display.



10

Remove screw.



11

Remove 3x screws from left side.



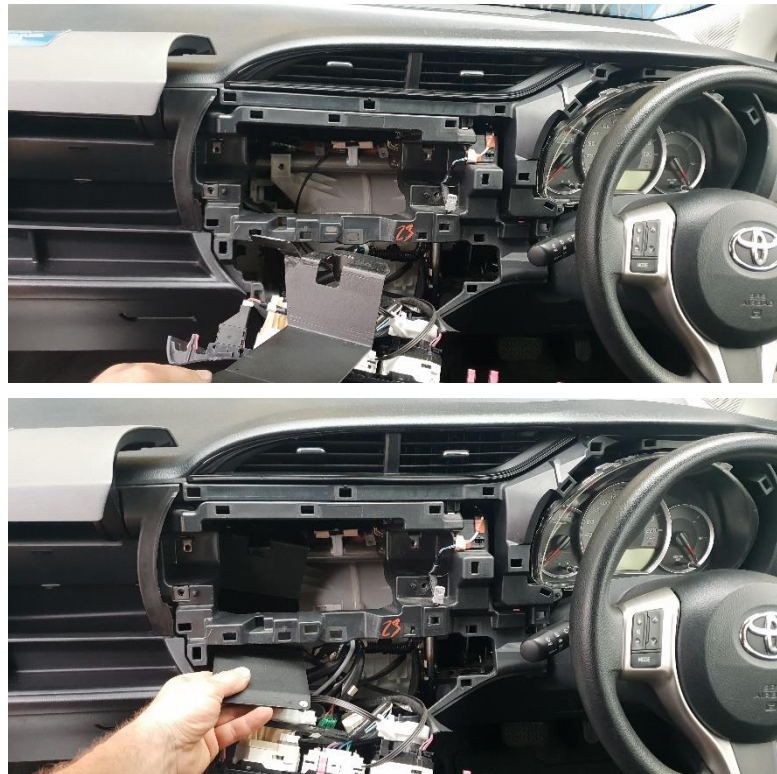
12

Install side bracket using 3x screws, removed in Step 11.



13

Install lower bracket.



14

Secure by replacing screw removed in Step 10.



15

Replace A/C plastic surrounds.



16

Replace digital display.



17

Replace 2x screws.



18

Replace hazard light cover.



19

Replace plastic dashboard surrounds.



20

Install front bracket using 4x countersunk screws provided.





If you have any issues or questions, please contact us.  
**Industrial Evolution**